

# APA 72/74

## ADD-ON COMPACTOR



### THE ADD-ON MACHINE FOR LARGE EXCAVATORS

Designed for excavators in the 10- to 20-tonne class, Ammann's APA 72/74 is primarily used for applications that require high compaction performance. The Add-On Compactor provides impressive results, and is able to compact fill depths of more than half a meter in a single pass.

Key features are the compactor's versatility and rugged design, making it a reliable machine that is always ready for use.

### PATENTED VIBRATION LIMITATION

- High-resistance rubber shock absorbers cushion vibrations to protect the excavator and, ultimately, the operator as well

### SAFETY

- For work on steep inclines where compaction with a vibratory plate is not safe
- Trench compaction from a safe distance

### THE MACHINE THAT MATCHES

- The Add-On Compactor is compatible with all commonly used fast change systems
- With the matching fast change system, the Add-On Compactor is connected and ready to operate within a few seconds
- Available with a hydraulic rotator

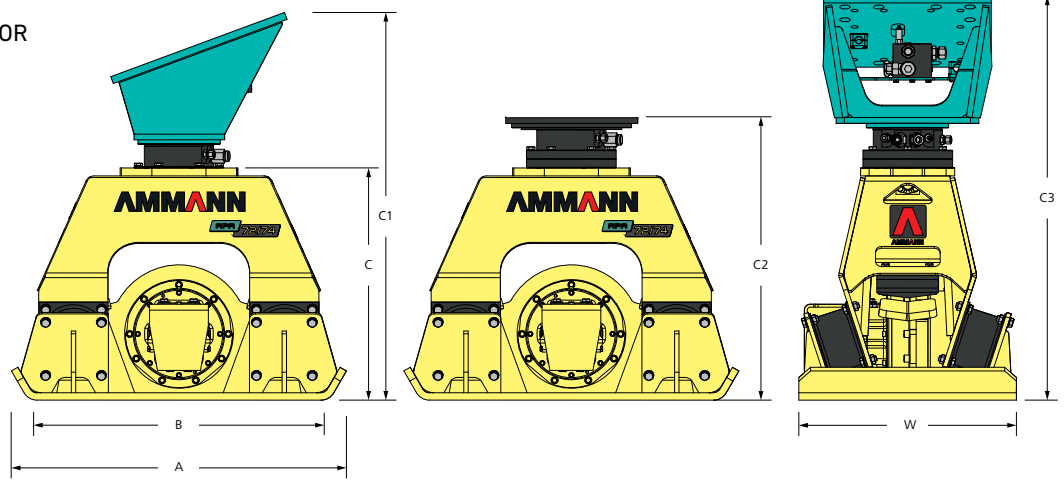
### RUGGED DESIGN

- The housing protects the central exciter unit
- Bearing bushings protect the housing against vibrations and prevent direct contact by metal surfaces under high pressure

### APPLICATIONS

- Add-On Compactor for excavators in the 10- to 15-tonne class
- Pipeline and canal construction
- Slope and hillside compaction
- Confined work spaces, manhole compaction
- Structure backfill work
- Landfill
- Track construction

TECHNICAL SPECIFICATIONS  
APA 72/74 ADD-ON COMPACTOR



## WEIGHT & DIMENSIONS

|                          | APA 72/74             |
|--------------------------|-----------------------|
| MACHINE WEIGHT           | 640 kg (1411 lb)      |
| MACHINE WEIGHT (MECH.)   | 830 kg (1830 lb)      |
| MACHINE WEIGHT (HYD.)    | 920 kg (2028 lb)      |
| A LENGTH                 | 1142 mm (45 in)       |
| B BASE PLATE LENGHT      | 1027 mm (40.4 in)     |
| C HEIGHT                 | 652 mm (25.7 in)      |
| C1 HEIGHT (MECH.)        | 1200 mm (47.2 in)     |
| C2 HEIGHT (HYD.)         | 910 mm (35.8 in)      |
| C3 HEIGHT (HYD+UNIV.)    | 1380 mm (54.3 in)     |
| W WIDTH                  | 740 mm (29.1 in)      |
| DIAMETER                 | 1320 mm (52 in)       |
| RECOMMENDED CARRIER SIZE | 10 000 kg (22 046 lb) |

## COMPACTION FORCES

|                          |                                  |
|--------------------------|----------------------------------|
| MAX. VIBRATION FREQUENCY | 36 Hz (2160 VPM)                 |
| MAX. CENTRIFUGAL FORCE   | 72 kN (16 186 lbf)               |
| SPEC. SURFACE PRESSURE   | 9,5 N/cm <sup>2</sup> (13.7 psi) |

## STANDARD EQUIPMENT

- Version with mechanical rotator
- Twin-shaft exciter with high frequency and low amplitude
- Rubber cushions protect the excavator against vibrations
- Universal adapter plate for fast changes

## MISCELLANEOUS

|                             |                                       |
|-----------------------------|---------------------------------------|
| HYDRAULIC CONNECTIONS       | Turn - Forward - Return - Leak - Turn |
| REQUIRED HYDRAULIC PRESSURE | 250 bar (3625.9 psi)                  |
| REQUIRED VOLUME FLOW        | 90 l/min (5492 in <sup>3</sup> /min)  |
| MAX. RETURN PRESSURE        | 10 bar (145 psi)                      |



## OPTIONAL EQUIPMENT

- Version with hydraulic rotator
- Alternative connections for Krupp hole pattern
- Hydraulic connections for Likifix fast-change system
- Hydraulic connections for OilQuick fast change system
- Adapter plate to fit an OilQuick fast change system