



APA 100/88 2M

ADD-ON COMPACTOR

THE ADD-ON MACHINE FOR MAJOR CHALLENGES

Thanks to its two operating modes, Amman's APA 100/88 2M can be used on open terrain and in urban areas.

A working width of 880 mm (34.6 in) and a length of 1295 mm (51 in) make the APA 100/88 a highly productive Add-On Compactor for large excavators up to 40 tonnes.

2M = 2 MODES

- High amplitude with high compaction performance: for use in substructure work
- Low amplitude: used for sensitive areas such as trench filling or compaction work over pipelines

PATENTED VIBRATION LIMITATION

- The vibration limitation system channels forces away from the machine and into the ground
- High-resistance rubber shock absorbers cushion vibrations to protect the excavator and the operator

SAFETY

- For work on steep inclines where compaction with a vibratory plate is not safe
- Trench compaction from a safe distance

THE MACHINE THAT MATCHES

- The Add-On Compactor is compatible with all commonly used adapters
- With the Ammann fast change system, this Add-On Compactor is connected and ready to operate within a few seconds

AMMANN ACE FOR MAXIMUM EFFICIENCY

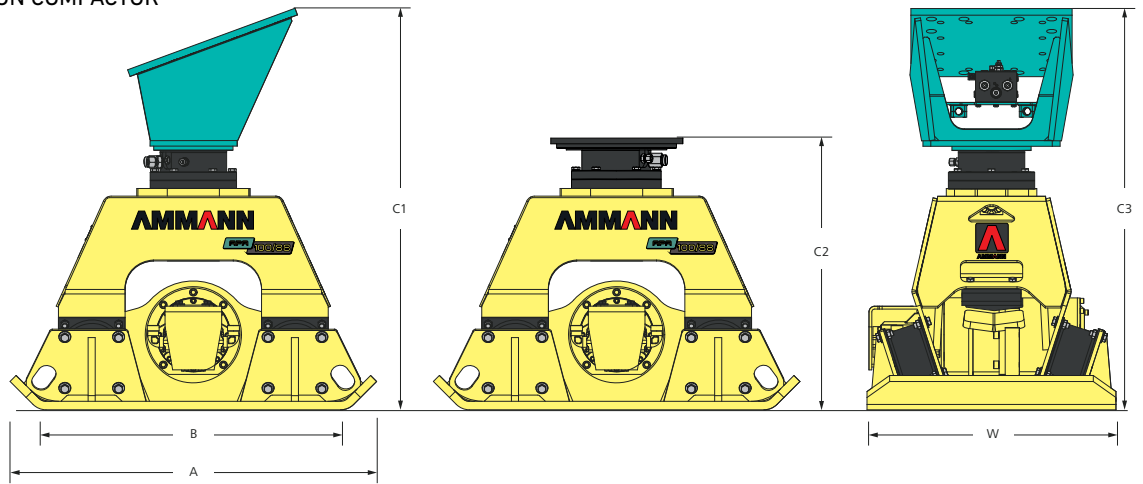
- Intelligent compaction ACE is available for the large Add-On compactors, boosting your productivity with every shift.

APPLICATIONS

- Add-On Compactor for excavators up to 40-tonnes
- Pipeline construction
- Development areas
- Slope and hillside compaction
- Confined work spaces
- Manhole compaction
- Structure backfill work
- Landfill
- Track construction

AMMANN

TECHNICAL SPECIFICATIONS
APA 100/88 2M ADD-ON COMPACTOR



WEIGHT & DIMENSIONS

	APA 100/88 2M
MACHINE WEIGHT	875 kg (1929 lb)
MACHINE WEIGHT (MECH.)	1065 kg (2348 lb)
MACHINE WEIGHT (HYD.)	1170 kg (2579 lb)
A LENGTH	1295 mm (51 in)
B BASE PLATE LENGHT	1095 mm (43.1 in)
C1 HEIGHT (MECH.)	1200 mm (47.2 in)
C2 HEIGHT (HYD.)	910 mm (35.8 in)
C3 HEIGHT (HYD+UNIV.)	1380 mm (54.3 in)
W WIDTH	880 mm (34.6 in)
DIAMETER	1480 mm (58.3 in)
RECOMMENDED CARRIER SIZE	18 000 kg (39 683 lb)

COMPACTION FORCES

MAX. VIBRATION FREQUENCY	36 Hz (2160 VPM)
MAX. CENTRIFUGAL FORCE	100 kN (22 481 lbf)
MAX. VIBRATION FREQUENCY (2M)	55 Hz (3300 VPM)
MAX. CENTRIFUGAL FORCE (2M)	55 kN (12 364 lbf)
SPEC. SURFACE PRESSURE	10,4 N/cm ² (15.1 psi)

STANDARD EQUIPMENT

- 2 operating modes
- Version with hydraulic rotator
- Twin-shaft exciter with high frequency and low amplitude
- Rubber cushions protect the excavator against vibrations
- Universal adapter plate for fast changes

MISCELLANEOUS

HYDRAULIC CONNECTIONS	Turn - Forward - Return - Leak - Turn
REQUIRED HYDRAULIC PRESSURE	250 bar (3625.9 psi)
REQUIRED VOLUME FLOW	150 l/min (9153 in ³ /min)
MAX. RETURN PRESSURE	10 bar (145 psi)

OPTIONS

ACE	x
EXTENSION	-
PILE DRIVER	-



OPTIONAL EQUIPMENT

- Version with hydraulic rotator
- Alternative connections for Krupp hole pattern
- Hydraulic connections for Likufix fast change system
- Hydraulic connections for OilQuick fast change system
- Adapter plate to fit an OilQuick fast change system
- ACE Assistant

For additional product informations and services please visit:

www.ammann.com

Materials and specification data are subject to change without notice.

MSS-1196-02-EN | © Ammann Group

AMMANN